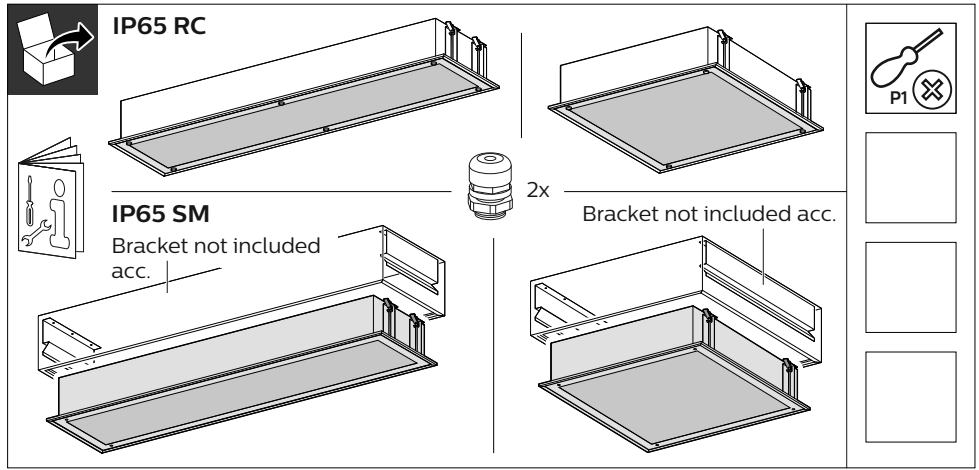


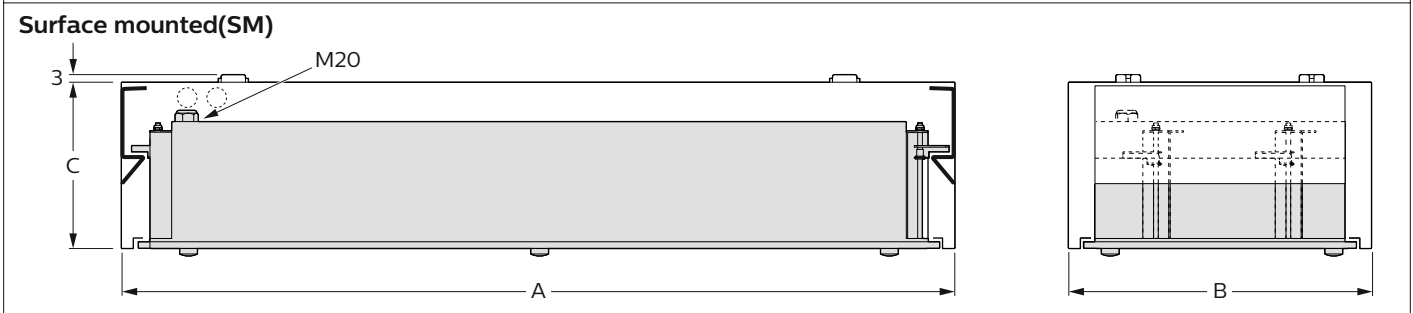
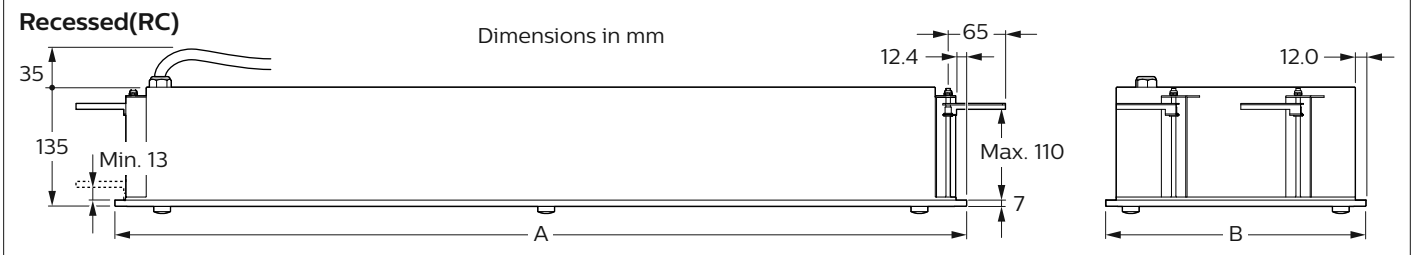
PHILIPS

Cleanroom LED CR250B

Recessed/Surface
mounted

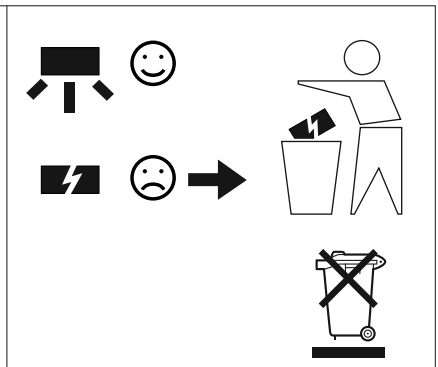


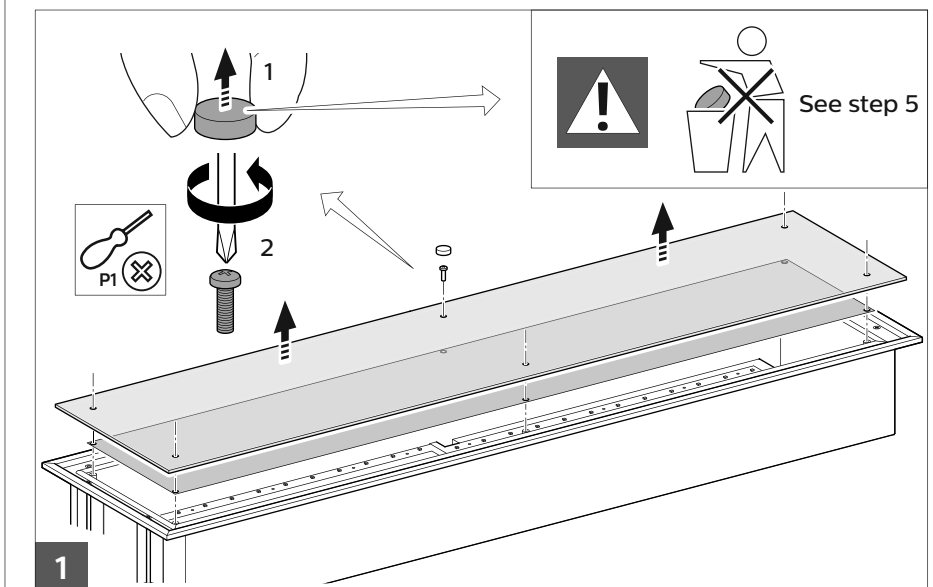
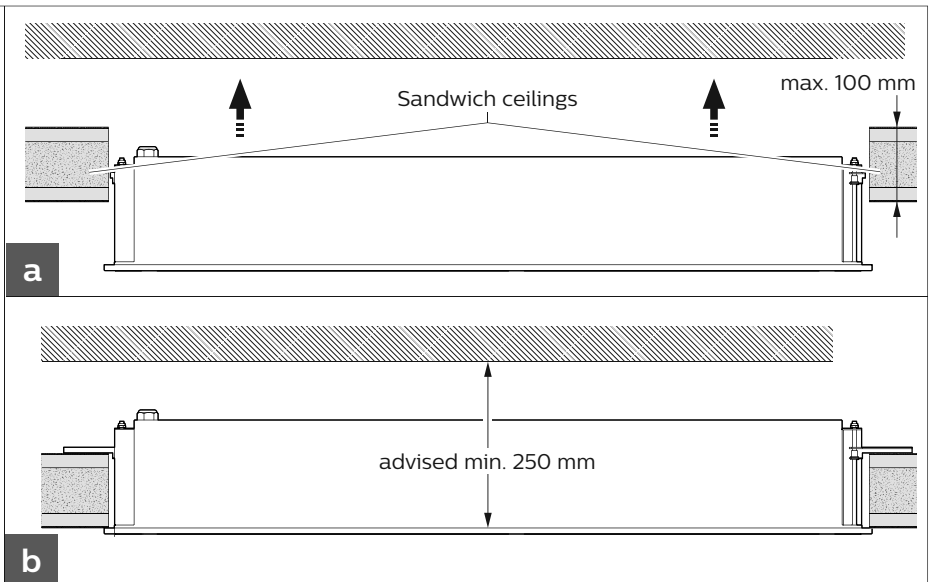
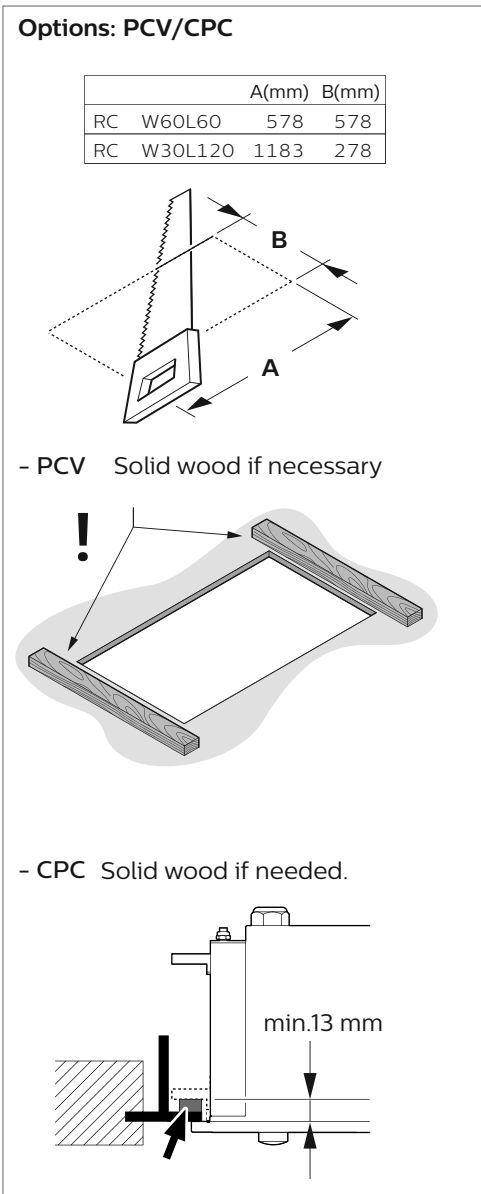
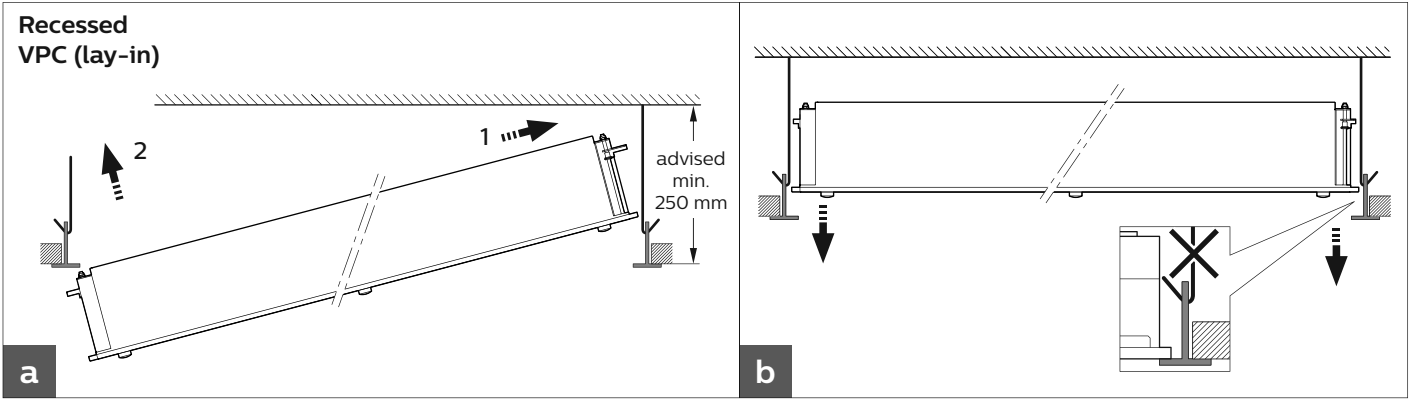
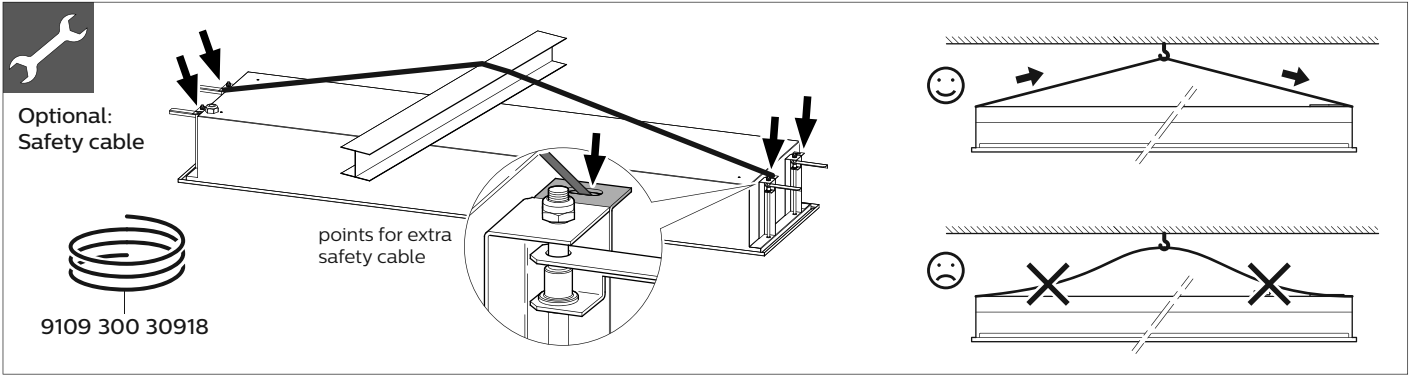
Configuration types	application	Size type	Lumen (lm)	Driver	A	B	C	kg
RC (Luminaire only)	VPC/CPC/ PCV	W60L60	3500/5500	PSU/PSD	595	595	-	9.0
		W30L120			1195	295	-	10.0
SM (Luminaire+bracket)	Ceiling only	W60L60			630	630	180	13.5
		W30L120			1230	330	185	15.0

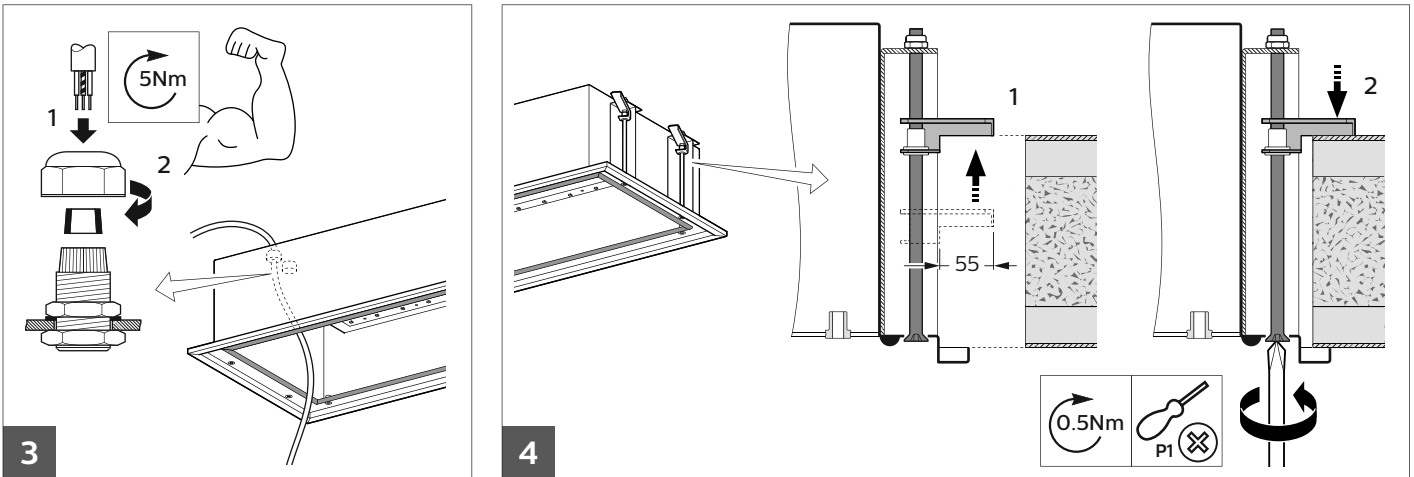
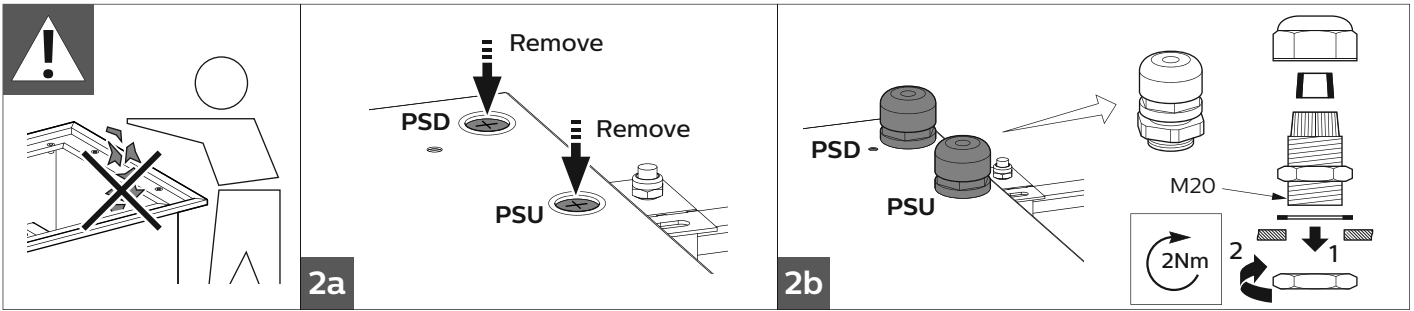


Inrush current

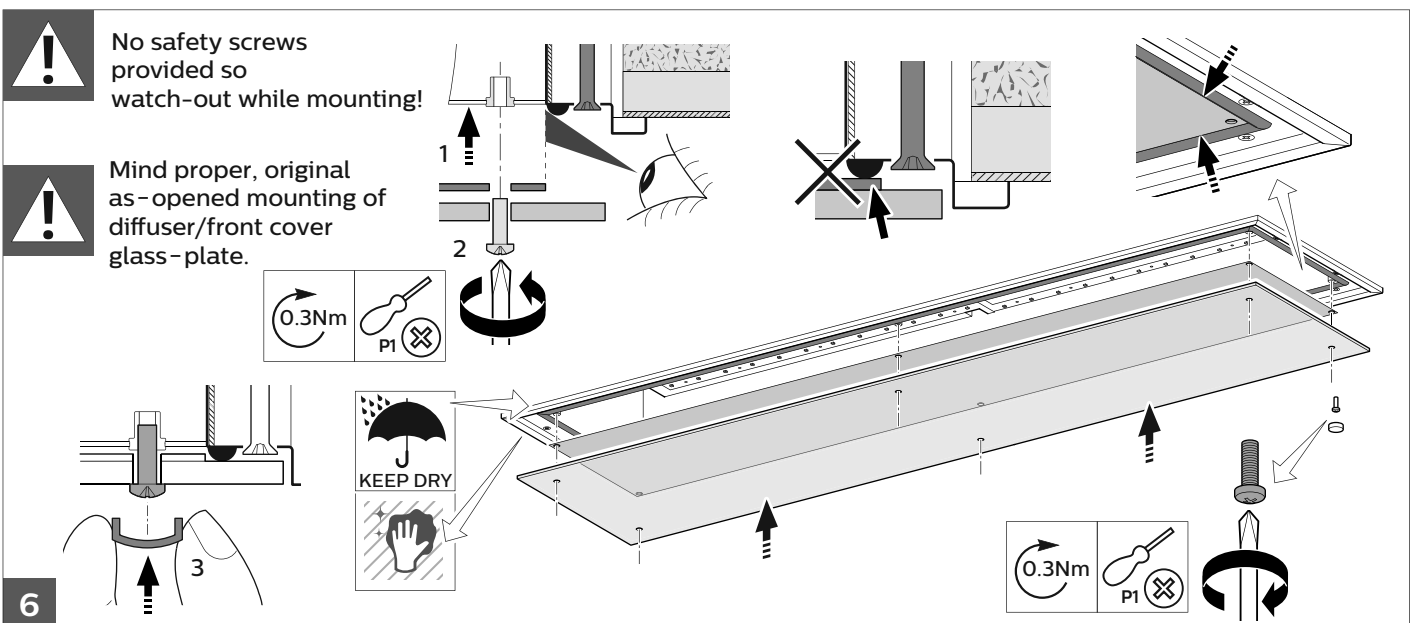
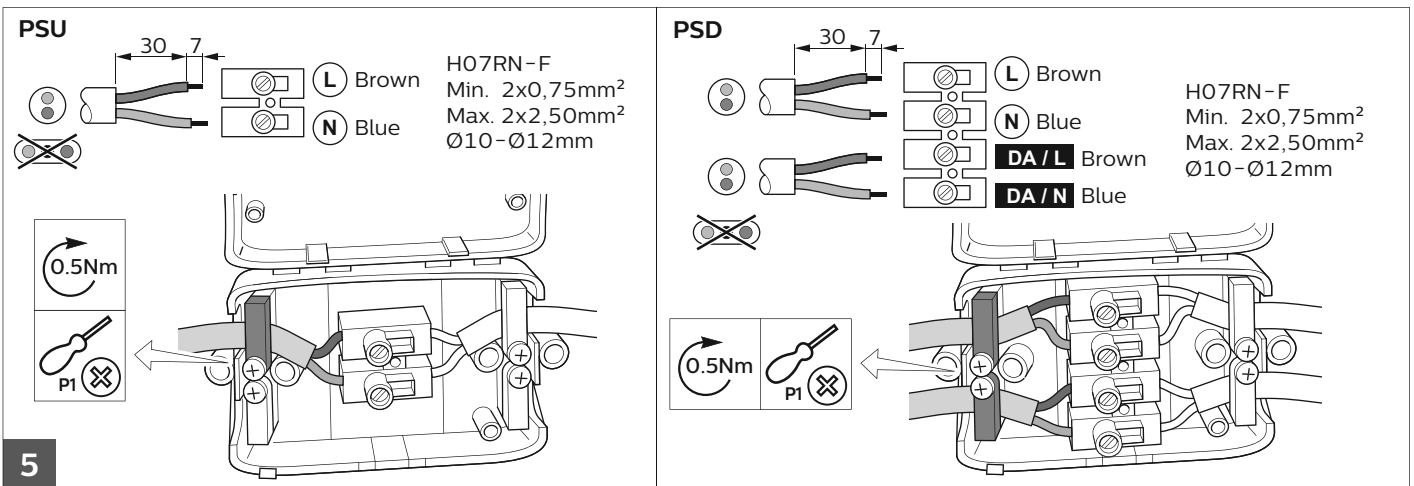
	PSU		PSD	
	36W	75W	36W	75W
I _{max} (A)	13	21	4.8	4.6
T _{ref} (μs)	270	220	750	900
MCB	Luminaire Max.			
B-10 A	15	15	15	15
B-16 A	24	24	24	24
B-24 A	37	37	37	37
C-10 A	25	25	25	25
C-16 A	40	40	40	40
C-24 A	62	62	62	62



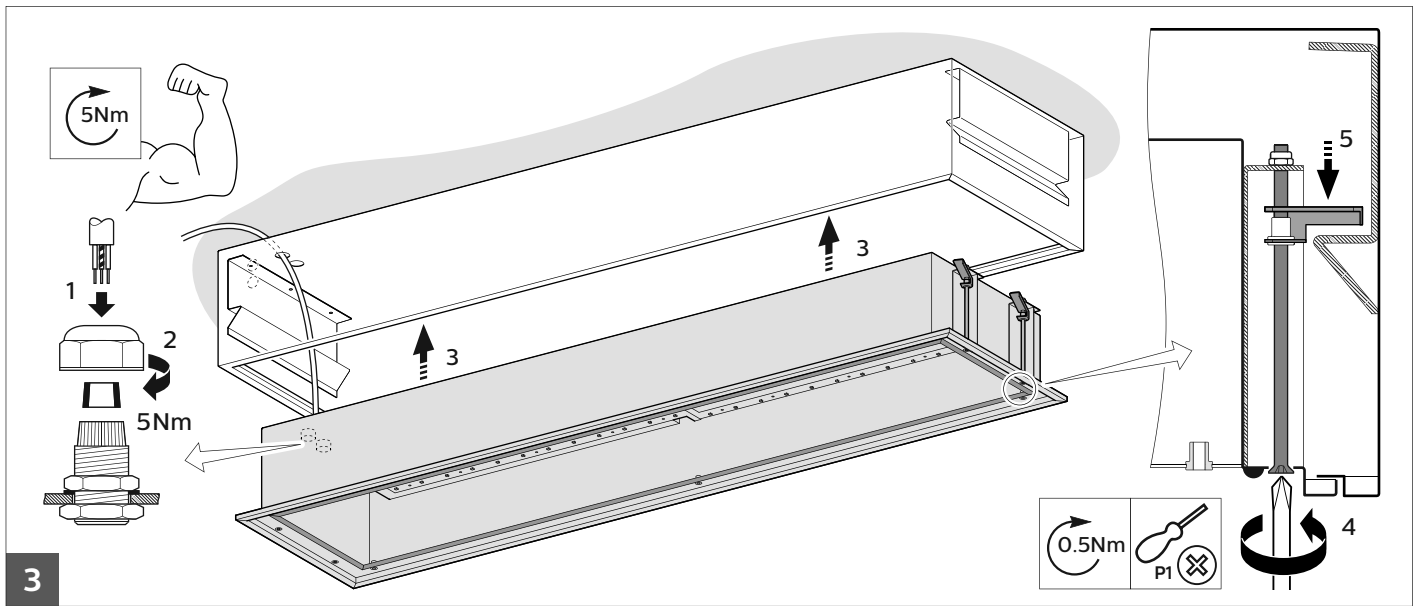
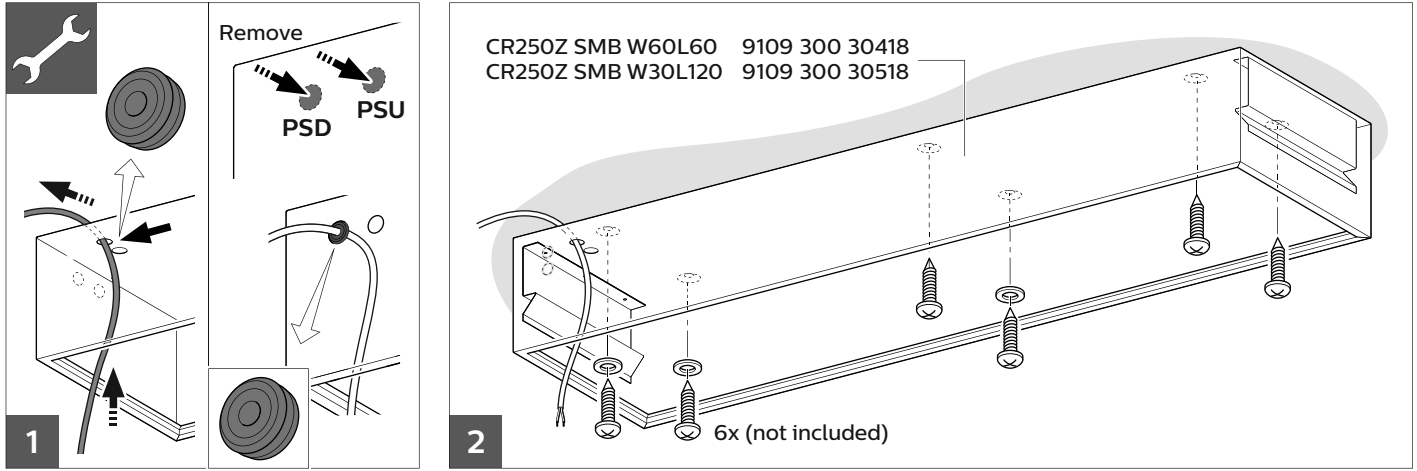




General electrical connections



Option: Surface mounted(S.M.)



4 General electrical connections. See step 5 (page 3/4)

