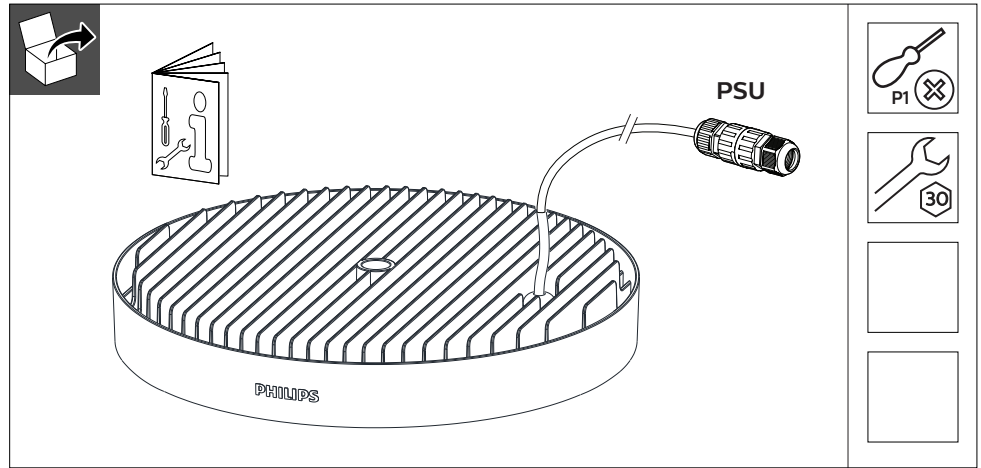


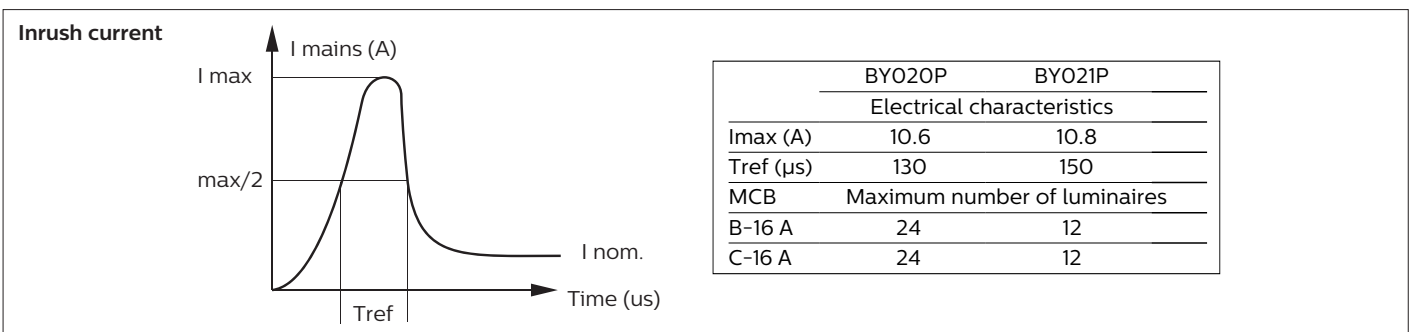
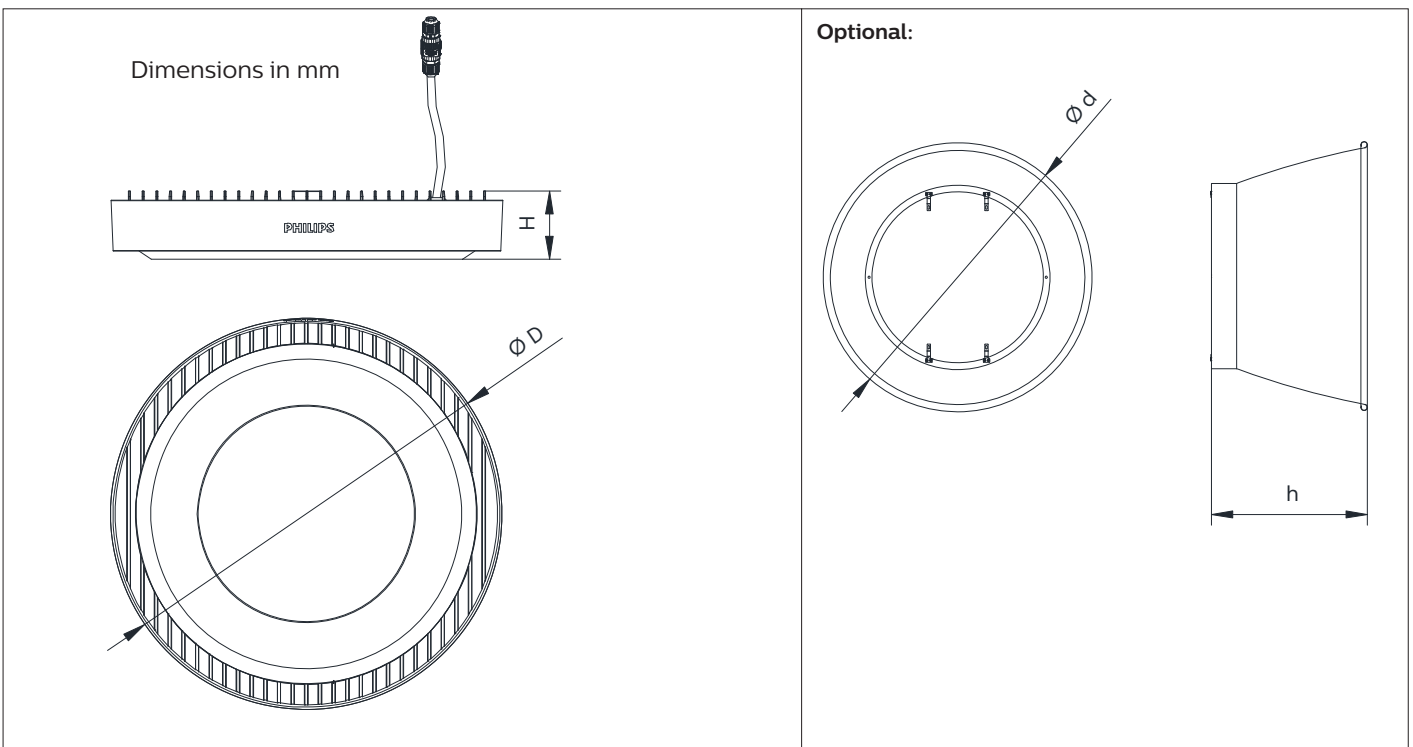
PHILIPS

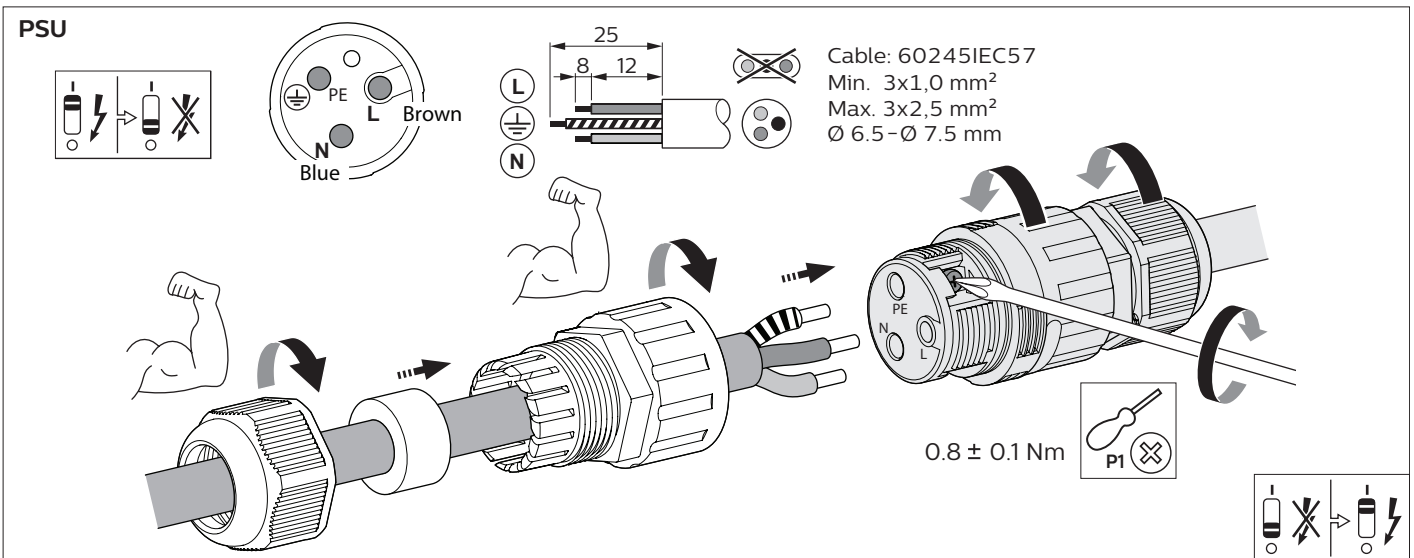
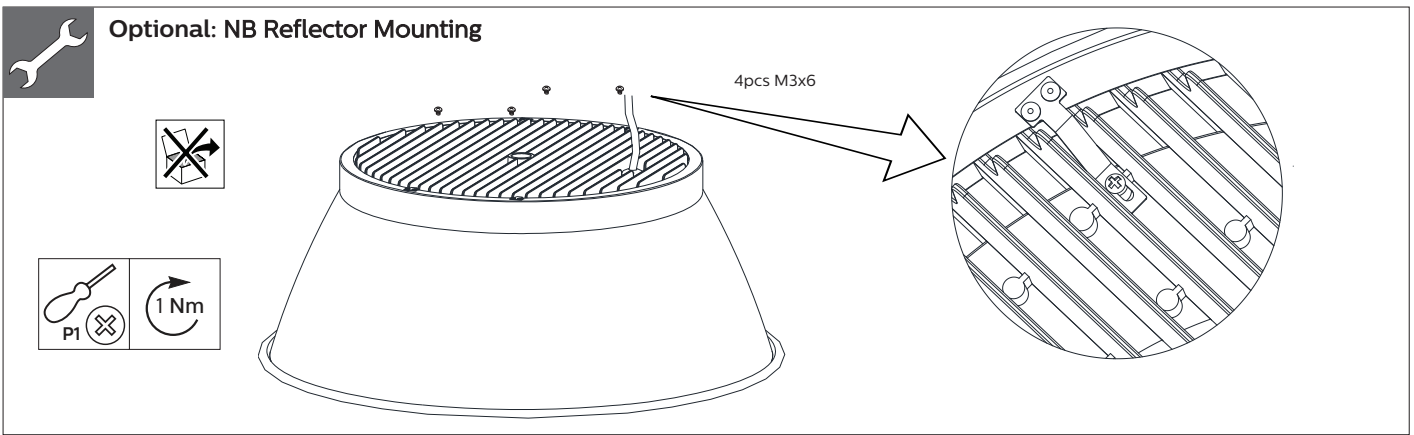
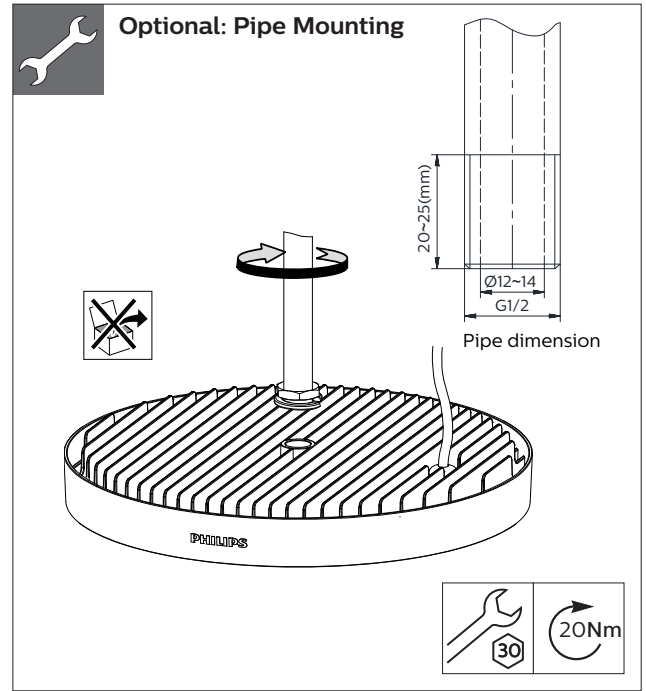
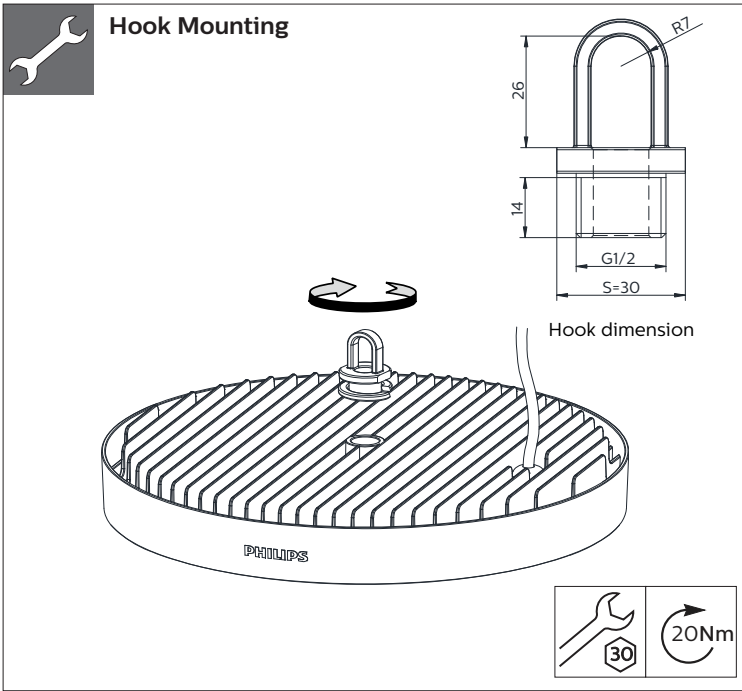
LDR Highbay

BY020P
BY021P



	System lumen (lm)	CCT	Pmax (W)	Optics	Dimensions in mm				kg
					D	H	d	h	
BY020P LED100S PSU	10000	4000	97	WB	243	50	374	216	1.6
BY021P LED200S PSU	20000		190		344	60	504	292	3.4





- The luminaire shall be installed by a qualified electrician and wired in accordance with the latest IEE electrical regulations or the national requirements .
 - Do not switch the luminaire on before completing installation.
 - The height between luminous surface and ground suggested be more than 5m; and the height between bottom of luminaire and mounting surface must be more than 0.3m.
 - If customer require the luminous surface levelness < 1°, pipe mounting method is recommended, and suggest to use gradienter to precisely measure and adjust.
 - If the external flexible cable or cord of this luminaire is damaged. It shall be exclusively replaced by the manufacturer or his service agent or a similar qualified person in order to avoid a hazard.
 - The light source contained in this luminaire shall only be replaced by the manufacturer or his service agent or a similar qualified person.
 - The corrosive atmosphere or hazardous materials such as sulfur, chlorine, phthalate, etc must be avoided during the use and storage.
 - Luminaire don't have any evaluation on additional protective measures to prevent luminaire from high-altitude falling and windproof structure, therefore it can't be used as flood and tunnel luminaire.
 - Not suitable for use in harsh vibration and often causing vibration or swinging environment. Also not suitable for area prone to hurricane and extreme winds.
 - Installer needs to be arrange the Chain / Pipe for mounting. The default product is supplied with a mounting hook
- Do not stare at the operating light source.