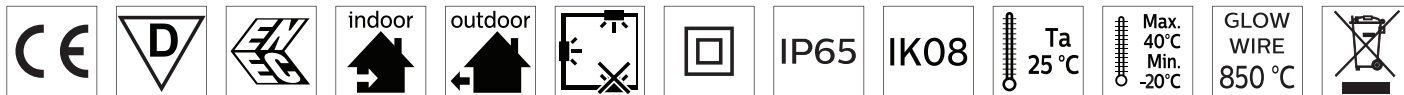
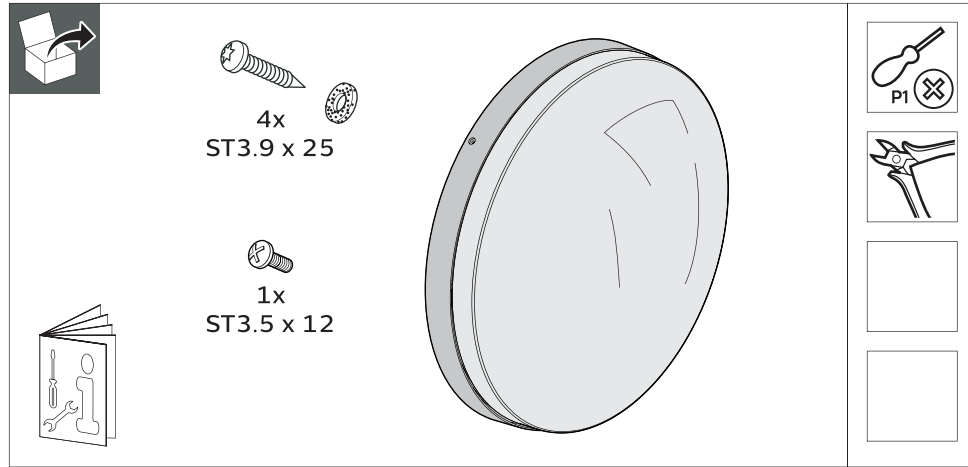


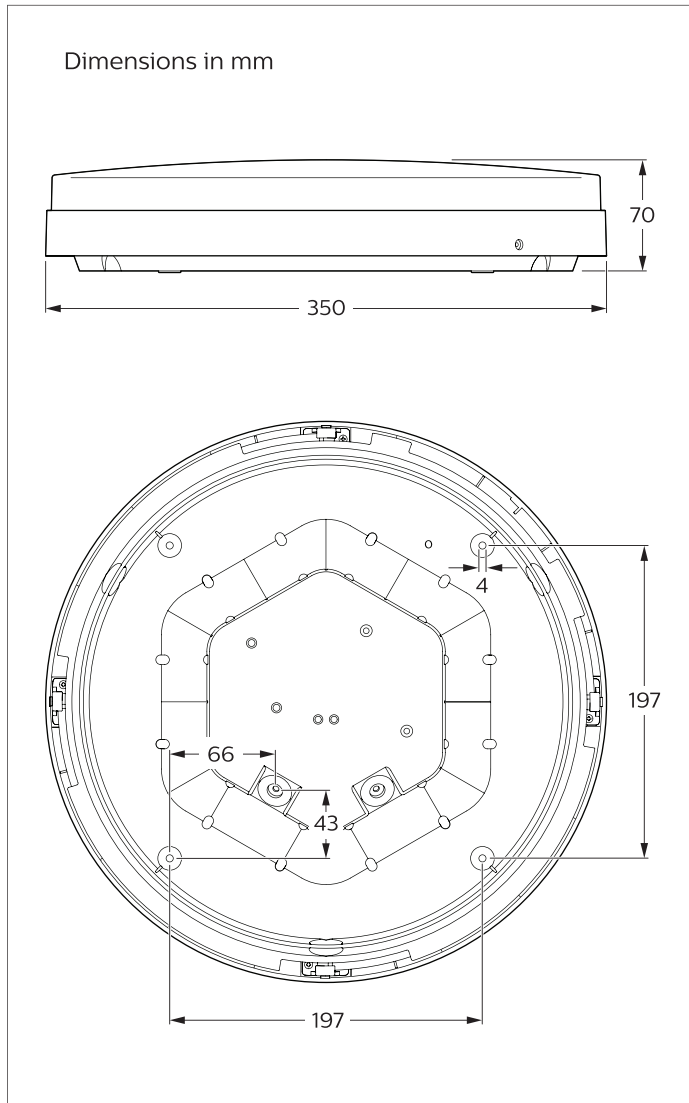
# PHILIPS

## CoreLine Wall mounted

WL130V

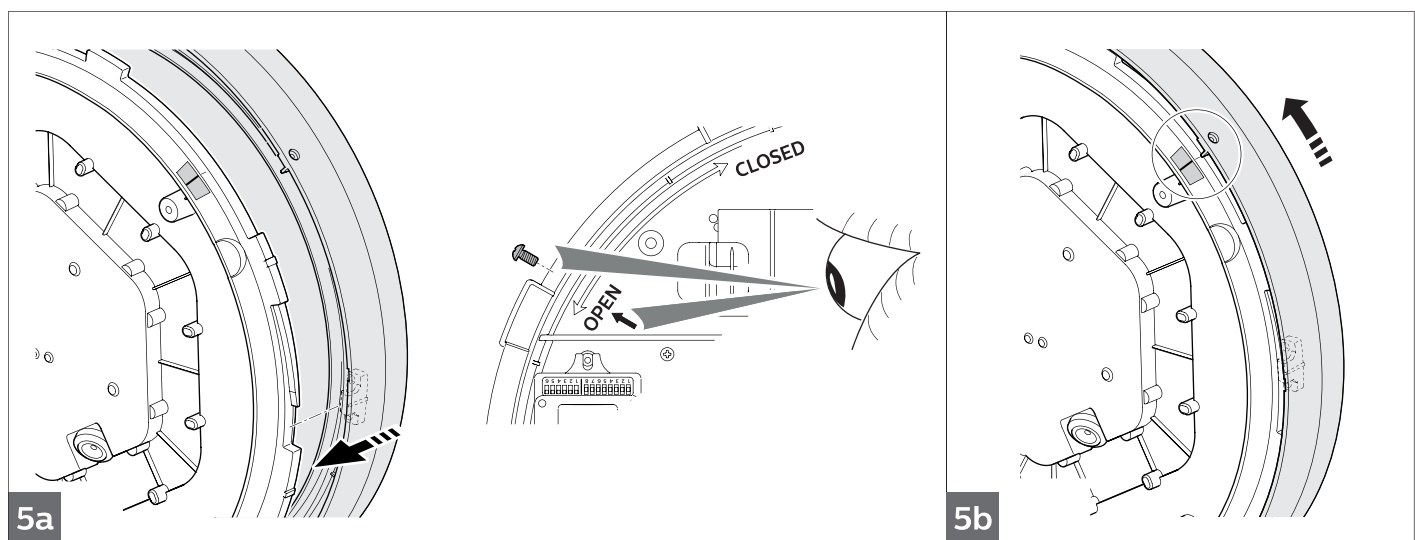
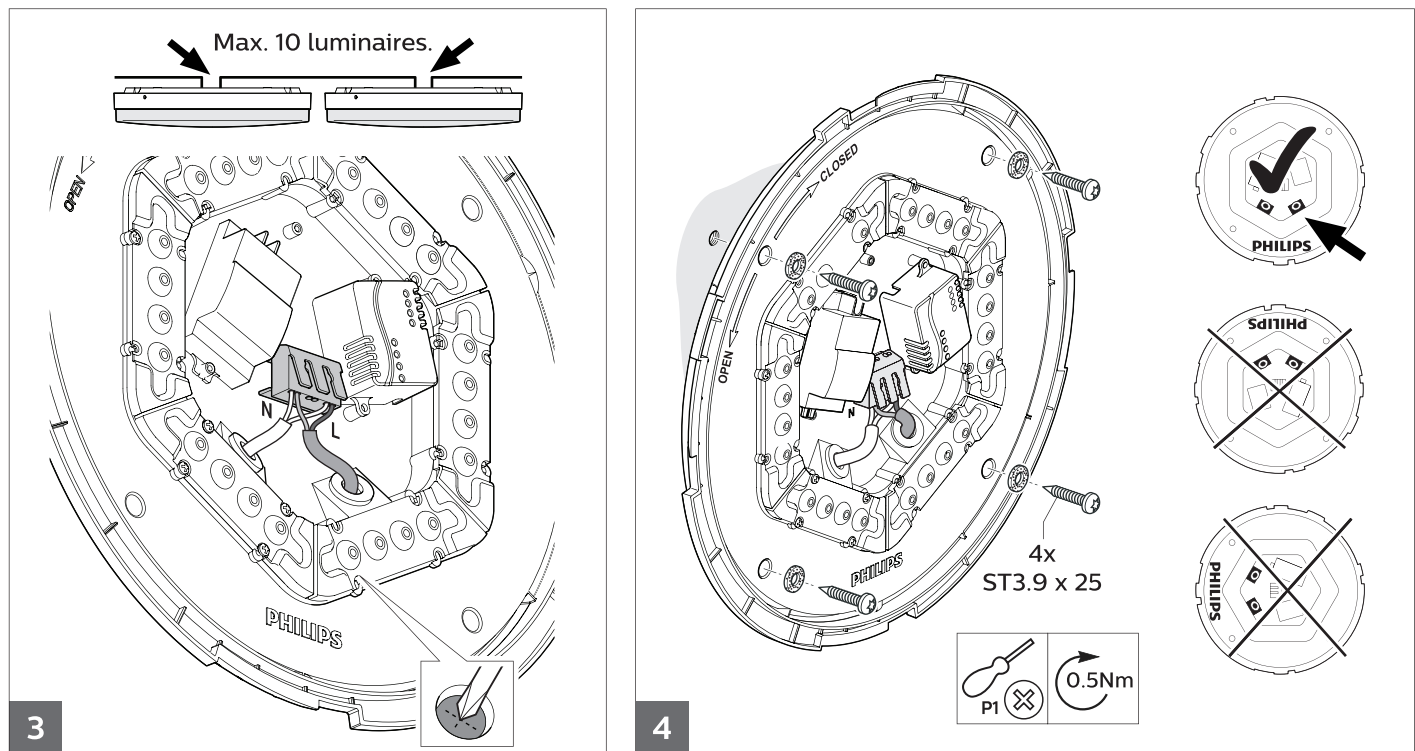
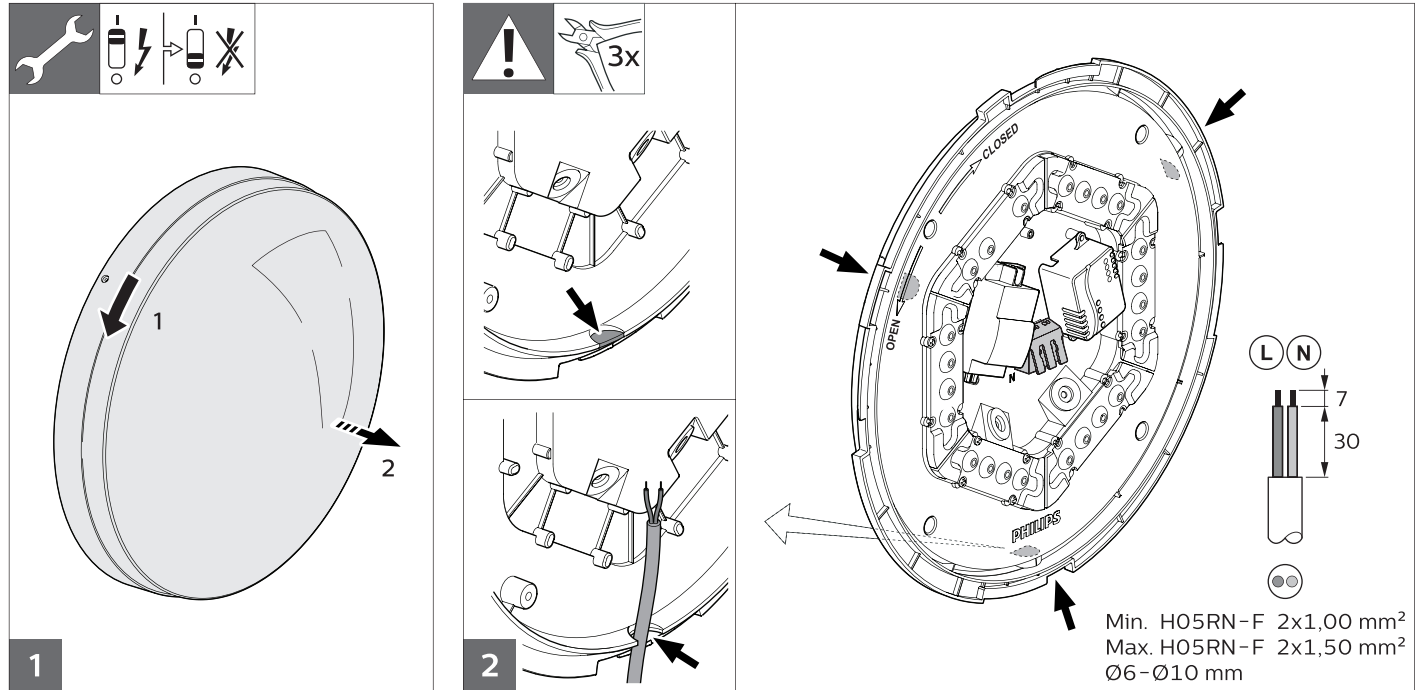
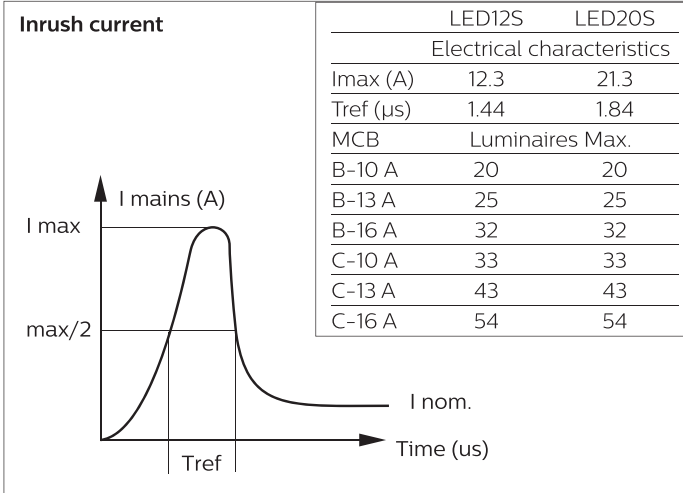


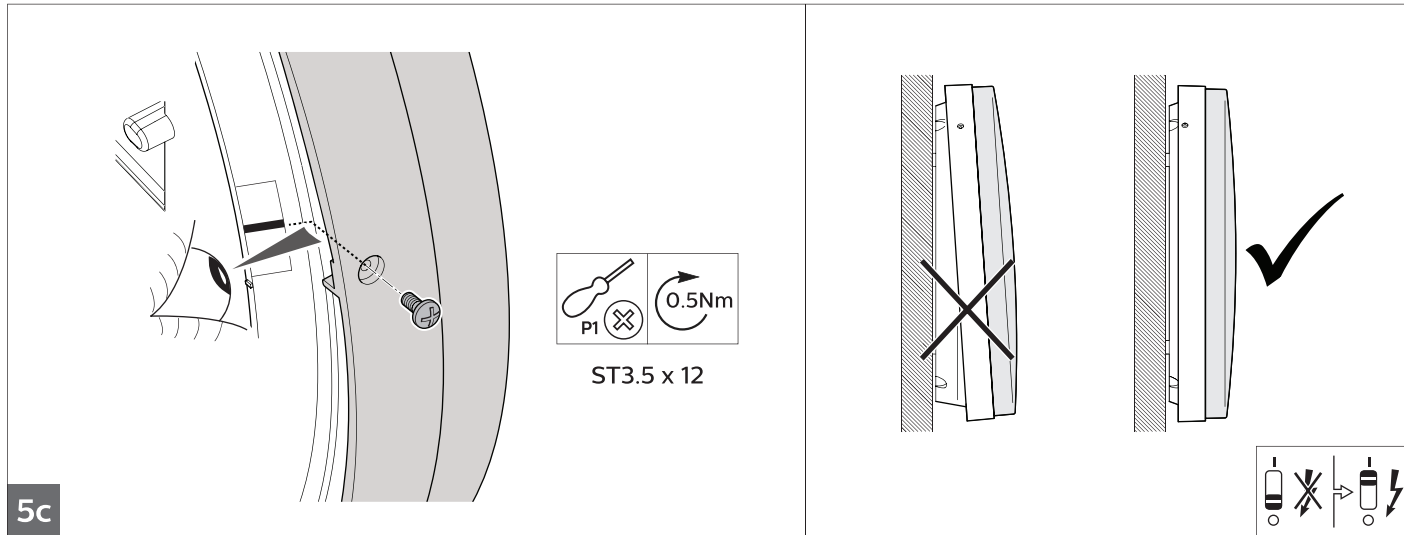
	CCT (K)	Lumen (lm)	P (W)	Driver	Options	220V 240V	50Hz 60Hz	kg
WL130V LED12S		1200	12		NA			1.15
WL130V LED20S	3000 / 4000	2000	22	PSU	NA	•	•	1.20
			23	MDU				



**ATTENTION**  
OBSERVE PRECAUTIONS  
FOR HANDLING  
ELECTROSTATIC  
SENSITIVE  
DEVICES

- The luminaire shall be installed by a qualified electrician and wired in accordance with the latest IEE electrical regulations or the national requirements.
- This luminaire is not suitable for use as emergency lighting.
- The light source contained in this luminaire shall only be replaced by the manufacturer or his service agent or a similar qualified person.
- For use in environments where an accumulation of conductive dust on the luminaire may be expected.





5c

**HF Motion Sensor** (For WL130V LED20S MDU only).

By selecting the combination on the DIP switch, sensor data can be precisely set for each specific application.

	1	2	3	%
I	on	on	on	100
II	-	on	on	75
III	on	-	on	50
IV	-	-	on	25
V	-	-	-	10

**Detection area.** (default 100%)  
Detection area can be reduced by selecting the combination on the DIP switches to fit precisely each application.

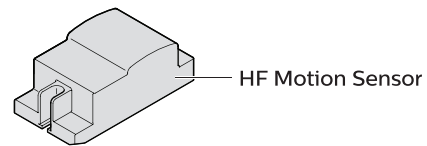
	4	5	6	Time
I	on	on	on	5 s
II	-	on	on	30 s
III	on	-	on	90 s
IV	-	-	on	3 min
V	on	on	-	20 min
VI	-	-	-	30 min

**Hold time.** (default 20 min.)  
Refers to the time period the lamp remains at 100% illumination after no motion detected.

	7	8	9	Lux
I	on	on	on	2
II	on	on	-	10
III	-	on	-	25
IV	on	-	-	50
V	-	-	-	Dis- able

**Daylight sensor.** (default 10 lux.)  
The sensor can be set to only allow the lamp to illuminate below a defined ambient brightness threshold.

50 lux, 25 lux: twilight operation,  
10lux, 2lux: darkness operation only.  
When set to Disable mode, the daylight sensor will switch on the lamp when motion is detected regardless of ambient light level.



© 2018 Signify Holding.  
All rights reserved. This document contains information relating to the product portfolio of Signify which information may be subject to change. No representation or warranty as to the accuracy or completeness of the information included herein is given and any liability for any action in reliance thereon is disclaimed. The information presented in this document is not intended as any commercial offer and does not form part of any quotation or contract. Philips and the Philips Shield Emblem are registered trademarks of Koninklijke Philips N.V.. All other trademarks are owned by Signify Holding or their respective owners.

Signify Holding.  
The Netherlands