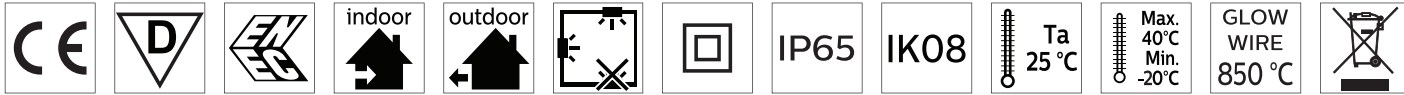
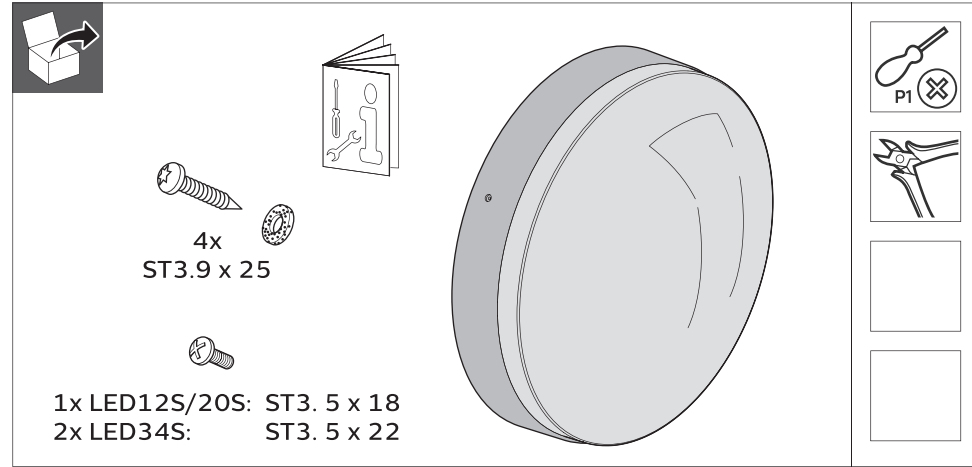


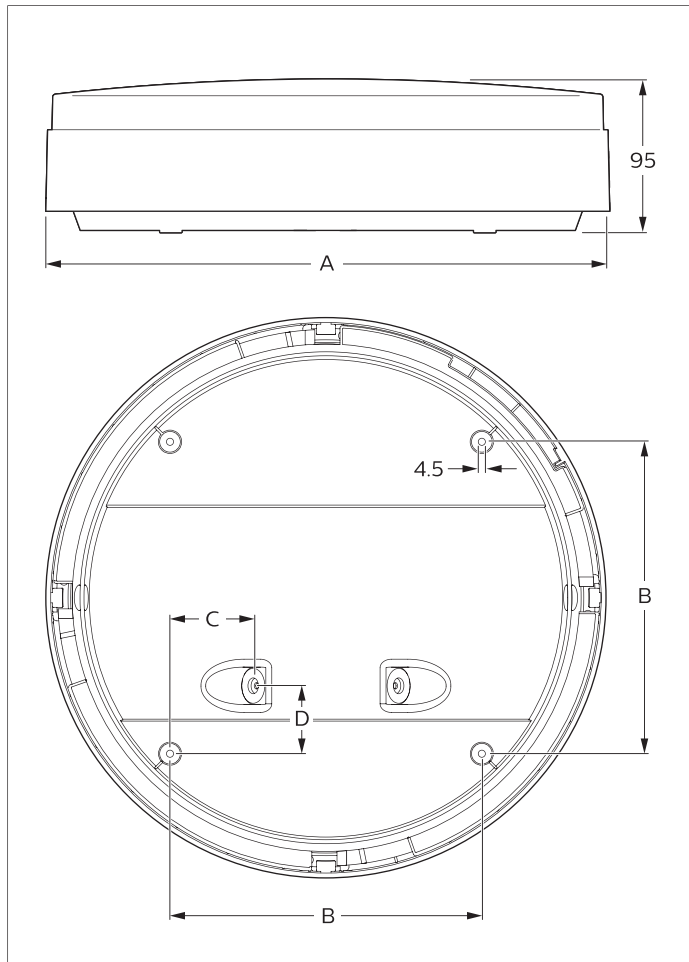
PHILIPS

CoreLine Wall mounted

WL131V



CCT (K)	Lumen (lm)	Class	P (W)	Driver	Options	Dimensions in mm				220V 240V	50Hz 60Hz	kg
						A	B	C	D			
WL131V LED12S	1200	II	12	PSU	EL 3	350	197	55	43	.	.	1.95
		II	15	PSR	MDU / EL 3							2.10
		II	13	PSED	EL 3							2.05
WL131V LED20S	3000 / 4000	2000	II	22	PSU	EL 3	1.95
			II	25	PSR	MDU / EL 3						2.10
			II	23	PSED	EL 3						2.05
WL131V LED34S	3400	II	36	PSU	NA	480	283	84	43	.	.	3.05
		II	38	PSR	MDU / EL 3							3.30
		II	37	PSED	EL 3							3.25



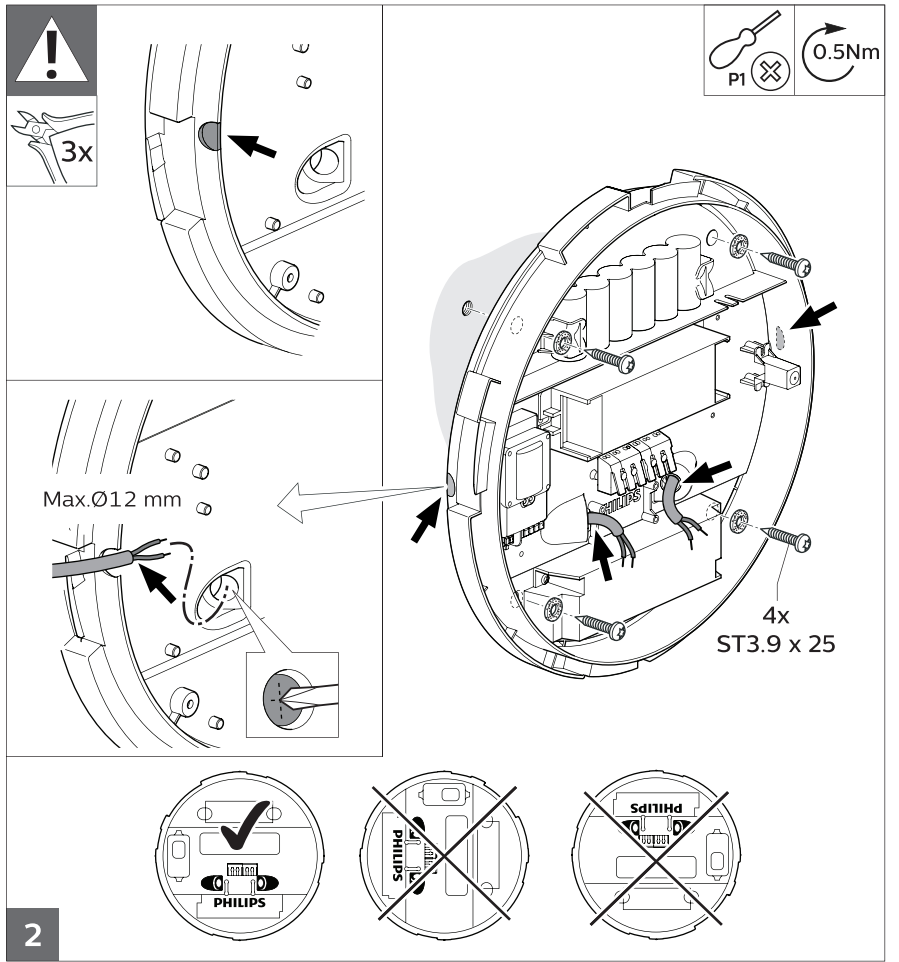
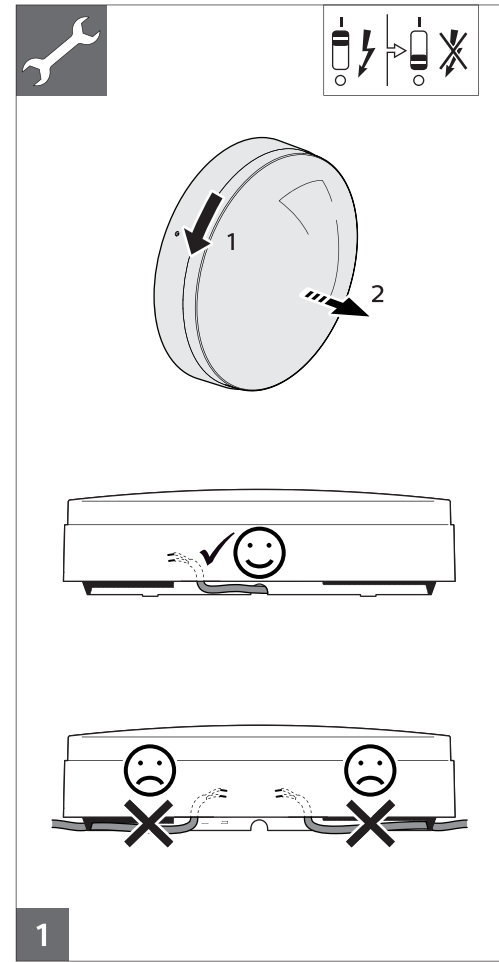
ATTENTION
OBSERVE PRECAUTIONS
FOR HANDLING
ELECTROSTATIC
SENSITIVE
DEVICES

- The luminaire shall be installed by a qualified electrician and wired in accordance with the latest IEE electrical regulations or the national requirements.
- This luminaire is not suitable for use as emergency lighting.
- The light source contained in this luminaire shall only be replaced by the manufacturer or his service agent or a similar qualified person.
- For use in environments where an accumulation of conductive dust on the luminaire may be expected.
- Insulation between LV and control conducts should be basic insulation at least.

Inrush current

	LED34S/PSU	PSR	PSED
Electrical characteristics			
I _{max} (A)	13.5	27	22
T _{ref} (μs)	1.75	265	290
MCB Luminaires Max.			
B-10 A	20	11	12
B-13 A	25	14	16
B-16 A	32	18	20
C-10 A	33	18	20
C-13 A	43	24	27
C-16 A	54	30	34

Printed in China
Data subject to change without notice
Keep for future reference: www.philips.com/lighting



Max. 10 luminaires.

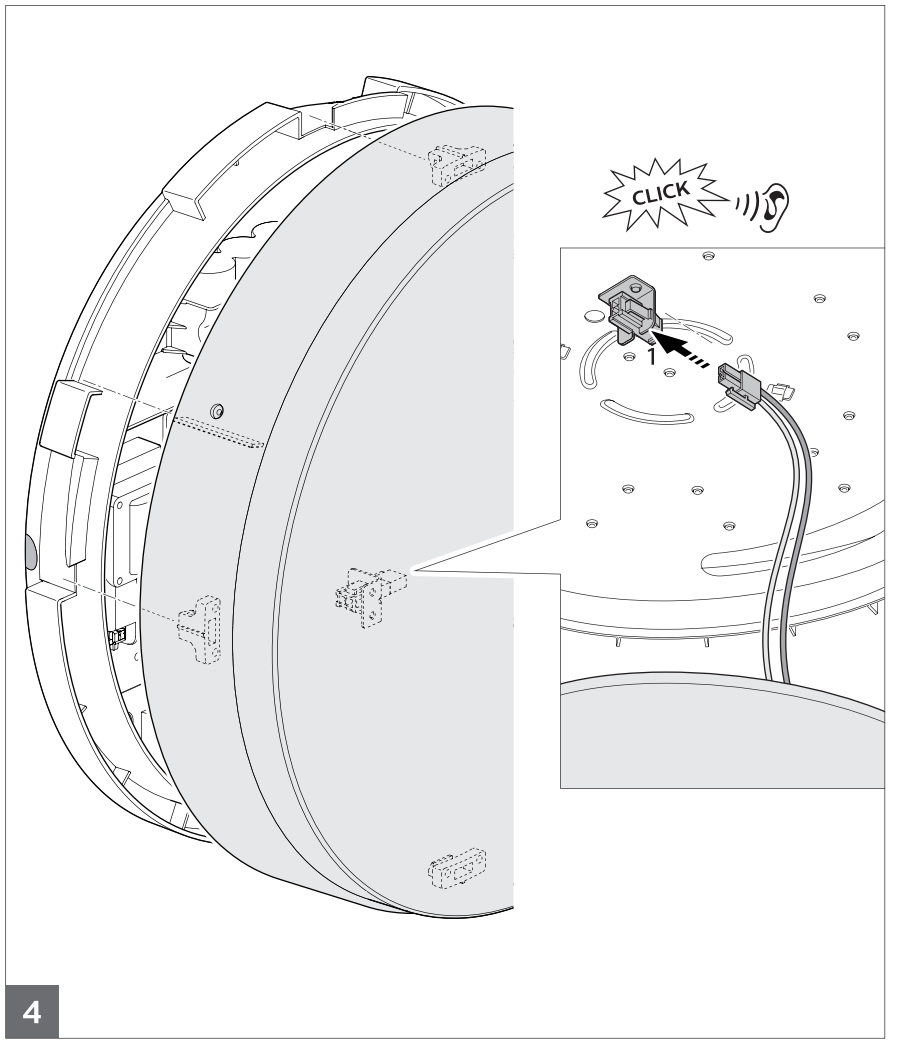
Min. H05RN-F 1,00 mm²
Max. H05RN-F 1,50 mm² Ø6-Ø12 mm

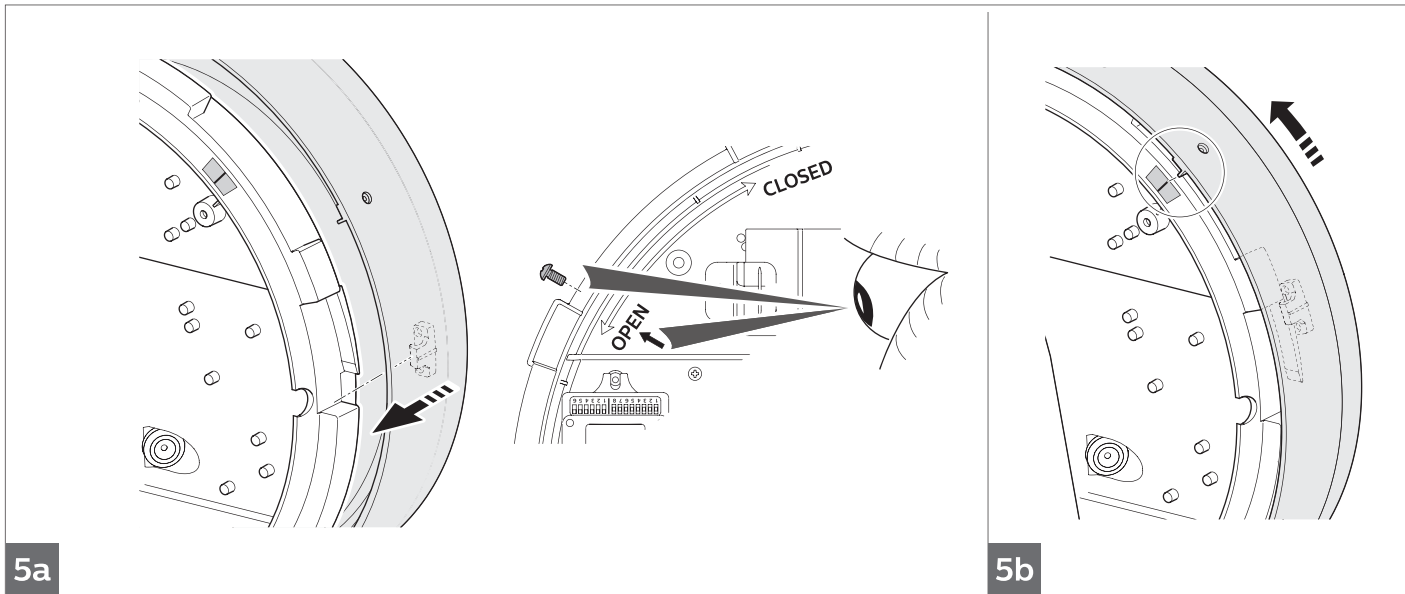
PSR

PSU

DALI

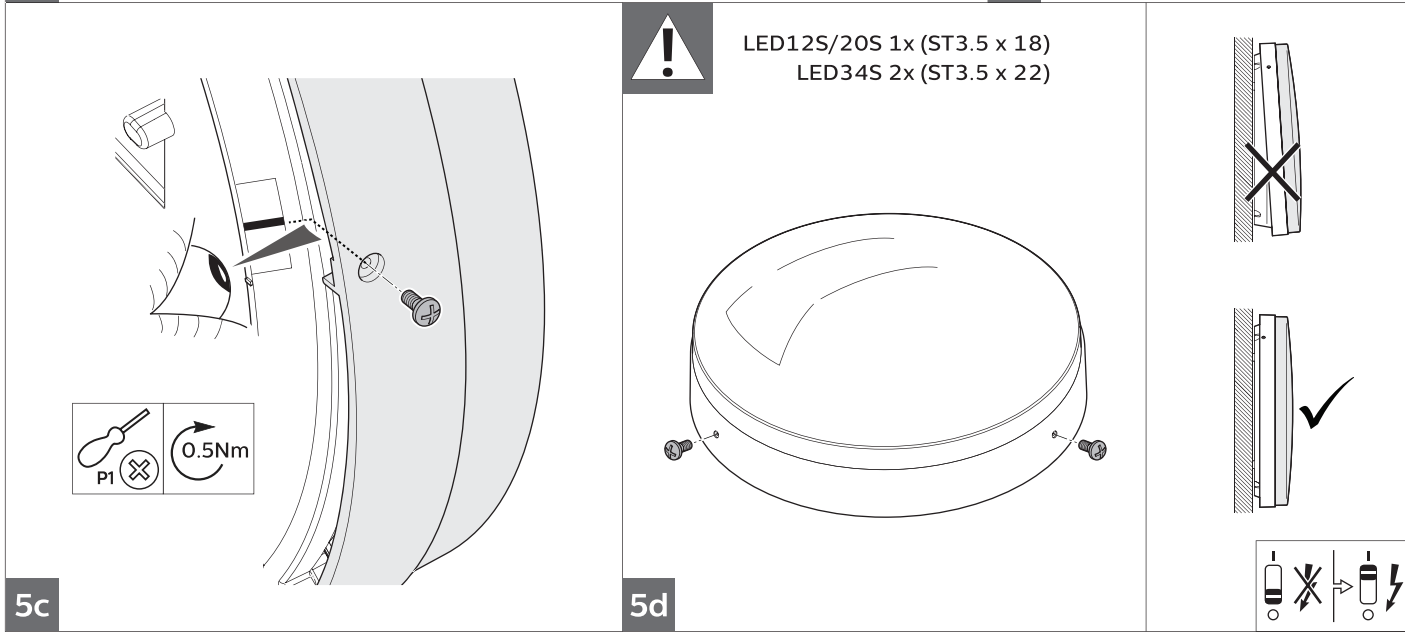
- Black + DA
- Grey - DA
- Blue N
- Brown L





5a

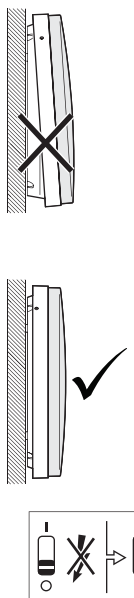
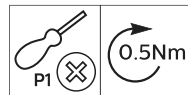
5b



5c

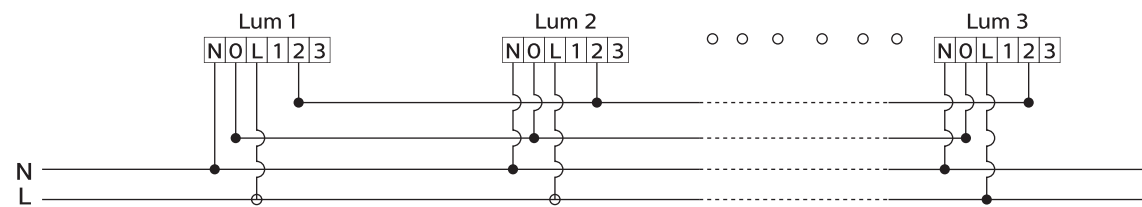
5d

LED12S/20S 1x (ST3.5 x 18)
LED34S 2x (ST3.5 x 22)



Type	N	O	L	1	2	3
PSU	N	L				
PSED	N	L	DAL+	DAL-		
PSED + EL3	N	L	DAL+	DAL-	Non-Switch power	
PSR + MDU	N	Sync	L	1-10V+	1-10V-	
PSR + MDU + EL3	N	Sync	L	1-10V+	1-10V-	Non-Switch power

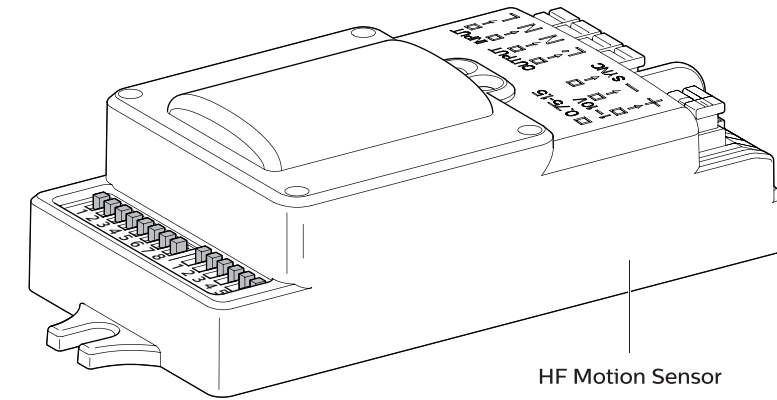
Optional group control: PSR+MDU



6

HF Motion Sensor

By selecting the combination on the DIP switch, sensor data can be precisely set for each specific application.



HF Motion Sensor

ON	1	2	%
I	on	on	100
II	on	-	75
III	-	on	50
IV	-	-	25

Detection area. (default 100%) show patterns.
Detection area can be reduced by selecting the combination on the DIP switches to fit precisely each application.

ON	3	4	5	Time
I	on	on	on	5 s
II	-	on	on	30 s
III	on	-	on	90 s
IV	-	-	on	3 min
V	on	on	-	20 min
VI	-	-	-	30 min

Hold time. (default 3 min.)
Refers to the time period the lamp remains at 100% illumination after no motion detected.

ON	6	7	8	Time
I	on	on	on	0 s
II	-	on	on	5 s
III	on	-	on	5 min
IV	-	-	on	10 min
V	on	on	-	30 min
VI	-	on	-	1 hr.
VII	-	-	-	+∞

Stand-by period. (default 10 min.)
Refers to the time period the lamp remains at a low light level before it completely switches off in the long absence of people.
When set to "∞" mode, the low light is maintained until motion is detected.

ON	1	2	3	4	Lux
I	-	-	on	on	2
II	-	-	-	on	5
III	-	on	on	-	10
IV	-	-	on	-	25
V	-	on	-	-	50
VI	on	-	-	-	100
VII	-	-	-	-	Disable

Daylight sensor. (default 10 lux.)
The sensor can be set to only allow the lamp to illuminate below a defined ambient brightness threshold.
When set to Disable mode, the daylight sensor will switch on the lamp when motion is detected regardless of ambient light level.
100 lux, 50 lux, 30 lux: twilight operation, 10 lux, 5 lux, 2 lux: darkness operation only.

ON	5	6	%
I	on	on	50
II	-	on	30
III	on	-	20
IV	-	-	10

Stand-by dimming level. (default 20%)
The low light level you would like to have after the hold time in the long absence of people.