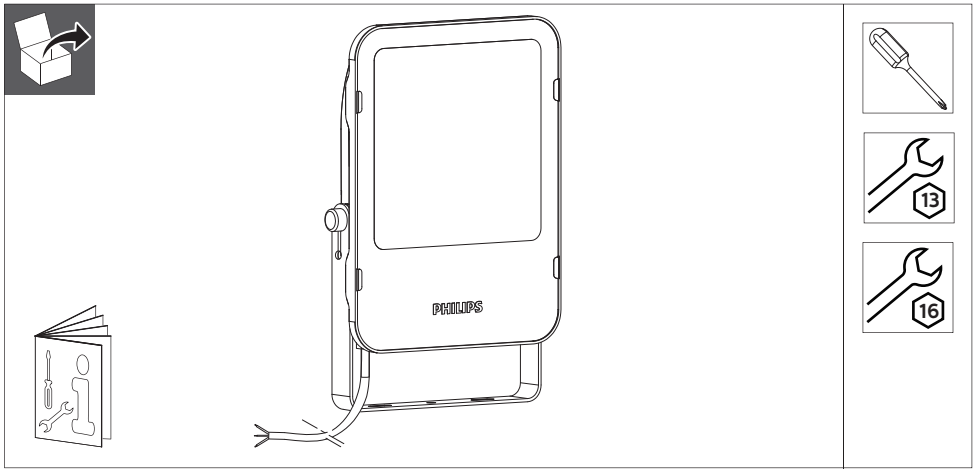


PHILIPS

LED Floodlight

BVP155




	Flux (lm)	Power (W)	Beam	m ²	kg
BVP155 LED100/840 PSU 100W VWB CE	10500	100		0.07	2.79
BVP155 LED150/840 PSU 150W VWB CE	15750	150	100°-120°	0.11	4.41
BVP155 LED200/840 PSU 200W VWB CE	21000	200		0.14	5.61

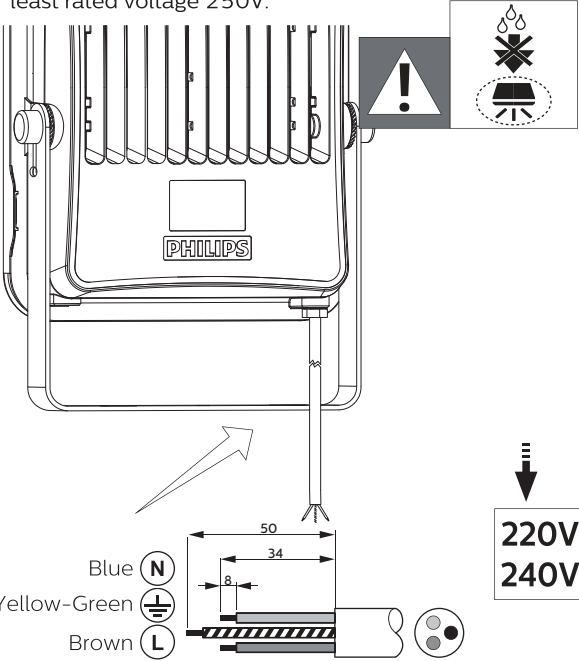
	100 W	150 W	200 W
A	232.5	290	332.5
B	364	437	493
C	58	60	60
D	311	380	422.5
E	16	15	15
F	8.5	10.5	10.5
G	244	310	347

The exposed wire length : 100/150/200W 1000mm

0°~170°

 Install the luminaire according to the national regulations.

It is recommended to use a supply box with a minimum IP65/67 waterproof, and 3P terminal, the terminal is at least rated voltage 250V.




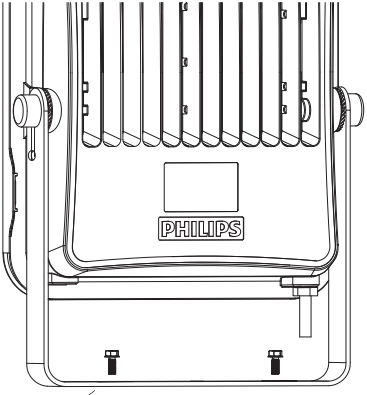
Blue (N)
Yellow-Green (PE)
Brown (L)

3x1,0 mm²

220V
240V

1a

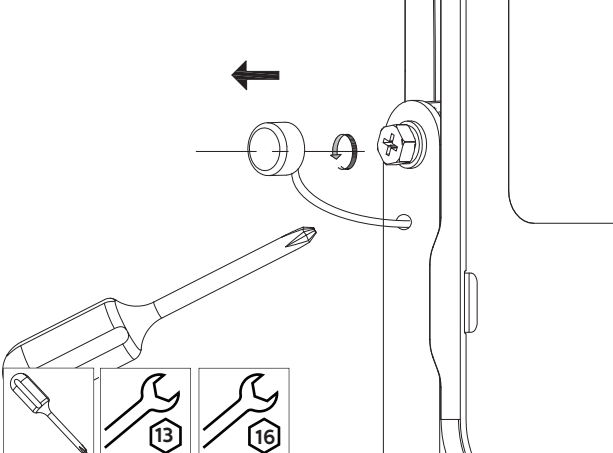
 If the luminaire is higher >3 m, the use of 2nd fixing security system is needed.



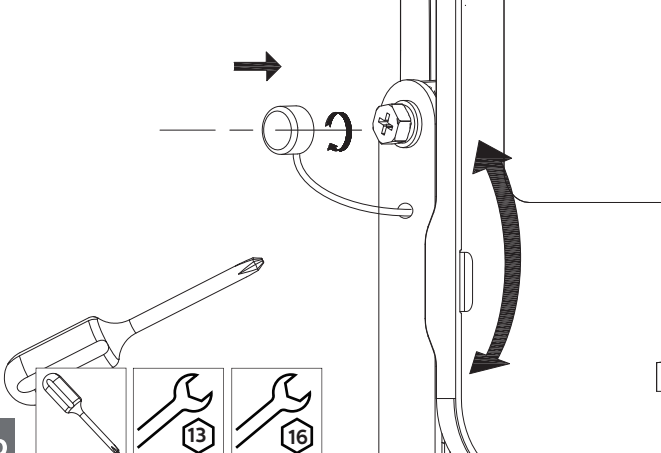
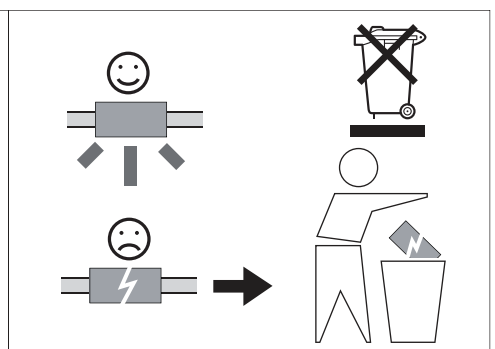
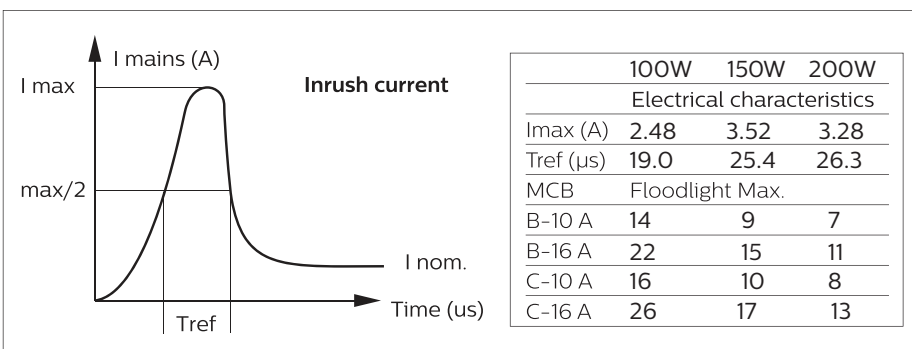
2x
100W:M8
150/200W:M10

1b

2a



2b

- The luminaire shall be installed or maintained by a qualified electrician and wired in accordance with the latest IEE electrical regulations or the national requirements.
- The external flexible cable or cord of this luminaire cannot be replaced; if the cord is damaged, the luminaire shall be destroyed.
- The light source of this luminaire is not replaceable; when the light source reaches its end of life the whole luminaire shall be replaced.